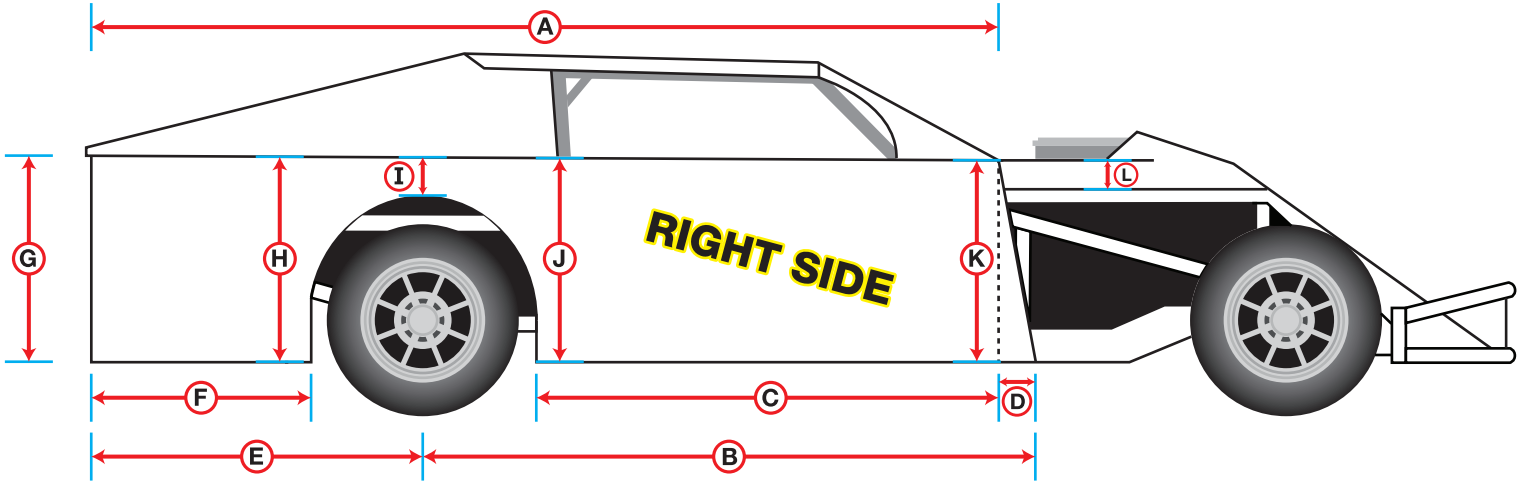




# MODIFIED MEASUREMENT SHEET

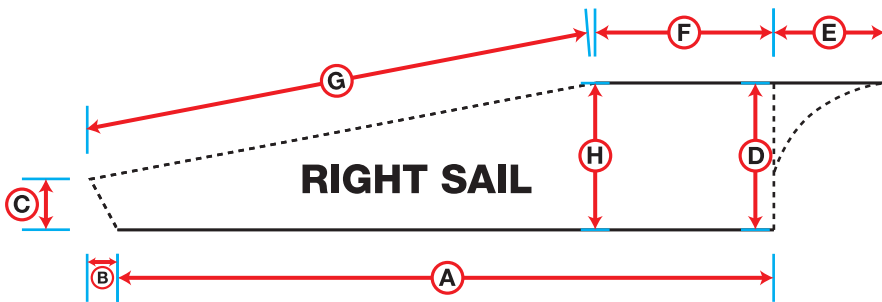
<b>CUSTOMER CONTACT INFORMATION</b>	NAME _____
	ADDRESS _____
	PHONE# _____ E-MAIL _____



## RIGHT SIDE

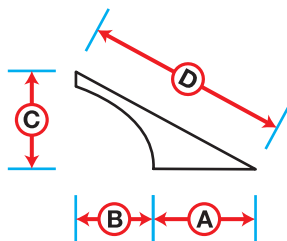
- |  |  |
|--|--|
| A _____ TOTAL LENGTH OF DOOR & QUARTER   | G _____ HEIGHT OF QUARTER IN REAR                                  |
| B _____ TOTAL LENGTH OF DOOR   | H _____ HEIGHT OF QUARTER AT REAR OF WHEEL OPENING                 |
| C _____ LENGTH OF THE BOTTOM OF THE DOOR   | I _____ HEIGHT FROM TOP OF QUARTER TO TIRE (DESIRED WHEEL OPENING) |
| D _____ LENGTH OF THE DOOR THAT GOES PAST FINAL TOP EDGE                                 | J _____ HEIGHT OF BACK OF DOOR BY WHEEL OPENING                    |
| E _____ TOTAL LENGTH OF QUARTER (2 INCHES WILL BE ADDED FOR OVERLAP OF DOOR AND QUARTER) | K _____ HEIGHT OF DOOR IN FRONT                                    |
| F _____ LENGTH OF QUARTER FROM BACK OF WHEEL OPENING TO BACK OF QUARTER                  | L _____ HEIGHT OF SIDE OF HOOD                                     |

## RIGHT SAIL



- |   |
|---|
| A _____ LENGTH OF SAIL                    |
| B _____ LENGTH THAT GOES PAST END OF DECK |
| C _____ HEIGHT OF SAIL IN REAR            |
| D _____ HEIGHT OF SAIL IN FRONT           |
| E _____ EXTRA LENGTH PAST FRONT OF SAIL   |
| F _____ LENGTH TO BACK OF ROOF            |
| G _____ LENGTH OF TOP BACK OF SAIL        |
| H _____ HEIGHT OF SAIL AT BACK OF ROOF    |

## RIGHT FRONT ROOF POST



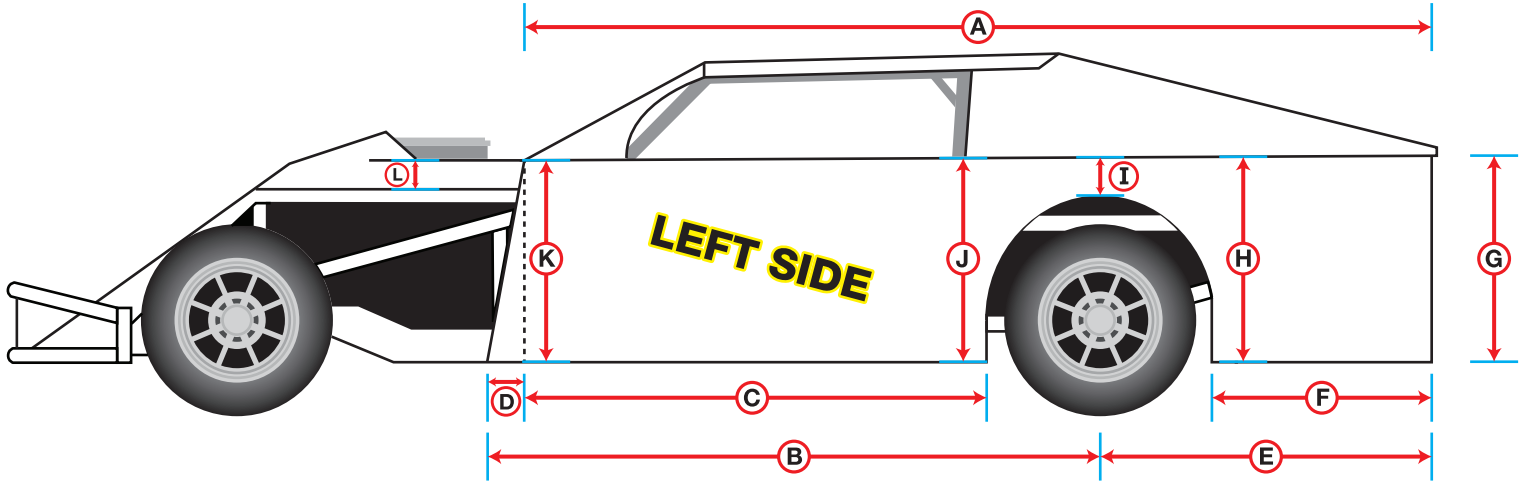
## RIGHT FRONT ROOF POST

- |  |
|--|
| A _____ LENGTH OF FRONT ROOF POST AT BOTTOM                          |
| B _____ LENGTH FROM BACK OF BOTTOM TO TOP WHERE ROOF POST MEETS ROOF |
| C _____ HEIGHT OF SAIL   |
| D _____ LENGTH OF FRONT EDGE OF ROOF POST                            |



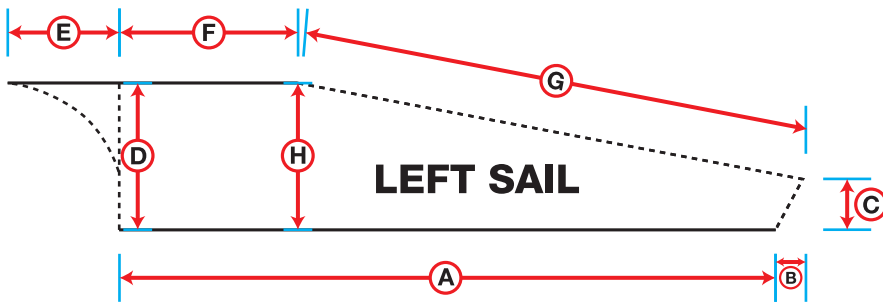
# MODIFIED MEASUREMENT SHEET

<b>CUSTOMER CONTACT INFORMATION</b>	NAME _____
	ADDRESS _____
	PHONE# _____ E-MAIL _____



## LEFT SIDE

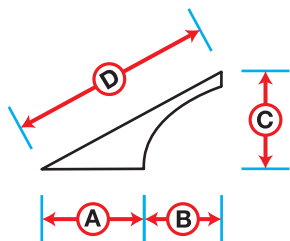
- |  |  |
|--|--|
| A _____ TOTAL LENGTH OF DOOR & QUARTER   | G _____ HEIGHT OF QUARTER IN REAR                                  |
| B _____ TOTAL LENGTH OF DOOR   | H _____ HEIGHT OF QUARTER AT REAR OF WHEEL OPENING                 |
| C _____ LENGTH OF THE BOTTOM OF THE DOOR   | I _____ HEIGHT FROM TOP OF QUARTER TO TIRE (DESIRED WHEEL OPENING) |
| D _____ LENGTH OF THE DOOR THAT GOES PAST FINAL TOP EDGE                                 | J _____ HEIGHT OF BACK OF DOOR BY WHEEL OPENING                    |
| E _____ TOTAL LENGTH OF QUARTER (2 INCHES WILL BE ADDED FOR OVERLAP OF DOOR AND QUARTER) | K _____ HEIGHT OF DOOR IN FRONT                                    |
| F _____ LENGTH OF QUARTER FROM BACK OF WHEEL OPENING TO BACK OF QUARTER                  | L _____ HEIGHT OF SIDE OF HOOD                                     |



## LEFT SAIL

- |   |
|---|
| A _____ LENGTH OF SAIL                    |
| B _____ LENGTH THAT GOES PAST END OF DECK |
| C _____ HEIGHT OF SAIL IN REAR            |
| D _____ HEIGHT OF SAIL IN FRONT           |
| E _____ EXTRA LENGTH PAST FRONT OF SAIL   |
| F _____ LENGTH TO BACK OF ROOF            |
| G _____ LENGTH OF TOP BACK OF SAIL        |
| H _____ HEIGHT OF SAIL AT BACK OF ROOF    |

## LEFT FRONT ROOF POST



## LEFT FRONT ROOF POST

- |  |
|--|
| A _____ LENGTH OF FRONT ROOF POST AT BOTTOM                          |
| B _____ LENGTH FROM BACK OF BOTTOM TO TOP WHERE ROOF POST MEETS ROOF |
| C _____ HEIGHT OF SAIL   |
| D _____ LENGTH OF FRONT EDGE OF ROOF POST                            |



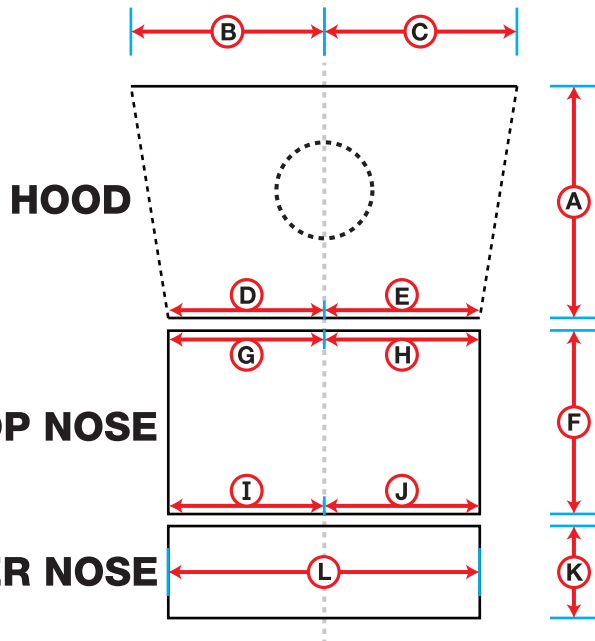
# MODIFIED MEASUREMENT SHEET

## CUSTOMER CONTACT INFORMATION

NAME \_\_\_\_\_  
 ADDRESS \_\_\_\_\_  
 PHONE# \_\_\_\_\_ E-MAIL \_\_\_\_\_

### HOOD

TO MEASURE HOOD: FIND CENTER AND MEASURE TO OUTSIDE.  
 (BECAUSE SOME HOODS ARE OFFSET TO ONE SIDE.)



- A \_\_\_\_\_ TOTAL HEIGHT OF HOOD
- B \_\_\_\_\_ WIDTH OF HOOD FROM CENTER TO RIGHT TOP
- C \_\_\_\_\_ WIDTH OF HOOD FROM CENTER TO LEFT TOP
- D \_\_\_\_\_ WIDTH OF HOOD FROM CENTER TO RIGHT FRONT
- E \_\_\_\_\_ WIDTH OF HOOD FROM CENTER TO LEFT FRONT

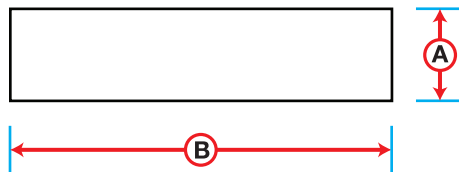
### TOP NOSE

- F \_\_\_\_\_ TOTAL HEIGHT OF TOP NOSE
- G \_\_\_\_\_ WIDTH OF TOP NOSE FROM CENTER TO RIGHT TOP
- H \_\_\_\_\_ WIDTH OF TOP NOSE FROM CENTER TO LEFT TOP
- I \_\_\_\_\_ WIDTH OF TOP NOSE FROM CENTER TO RIGHT BOTTOM
- J \_\_\_\_\_ WIDTH OF TOP NOSE FROM CENTER TO LEFT BOTTOM

### LOWER NOSE

- K \_\_\_\_\_ HEIGHT OF LOWER NOSE
- L \_\_\_\_\_ TOTAL WIDTH OF LOWER NOSE

### REAR FILLER



### REAR FILLER

- A \_\_\_\_\_ HEIGHT OF REAR FILLER
- B \_\_\_\_\_ LENGTH OF REAR FILLER